

# Nito

Dimensions : L 445 x l 445 x H 450 mm

Specifications : Made in Italy

Finishes : Honed

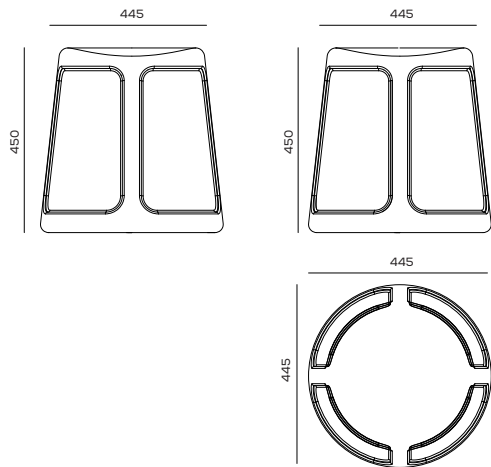
Materials : Marble

Marble Fier Di Bosco

Marble Saint Laurent



Non-contractual lead times of 16 weeks  
Actual products may differ from pictures



## STUDIO FLAVIEN DELBERGUE

Web : [www.flaviendelbergue.com](http://www.flaviendelbergue.com)  
Mail : [info@flaviendelbergue.com](mailto:info@flaviendelbergue.com) / [studio@flaviendelbergue.com](mailto:studio@flaviendelbergue.com)  
Instagram : [flaviendelbergue](https://www.instagram.com/flaviendelbergue)  
Office : 9 Rue Jacquemont 75017 Paris  
Phone : 00 33 6 50 95 88 01

All pictures © Studio Flavien Delbergue / All rights reserved to © Studio Flavien Delbergue



# GENERAL TERMS AND CONDITIONS OF SALE

## 1. ORDER AND ACCEPTANCE

Confirmation: Any order is deemed firm and final upon receipt of a 50% non-refundable deposit.

Bespoke Nature: As the goods are made-to-order or clearly personalized, the Buyer waives any right of withdrawal or cancellation once production has been initiated.

Modification: No cancellation or modification to the order shall be accepted after a period of 8 calendar days following the order confirmation.

## 2. MATERIAL CHARACTERISTICS AND DISCLAIMERS

Natural Materials: The Buyer acknowledges that wood, stone, and leather are natural materials that feature intrinsic variations in grain, color, or veining. These are not defects but signs of authenticity.

Environmental Evolution: The Seller disclaims all liability for material changes resulting from natural aging or environmental conditions such as temperature, humidity, or light.

Non-Contractual Visuals: All drawings, sketches, or photographs provided in commercial documents are for indicative purposes only and are not binding.

## 3. APPROVAL AND PAYMENT TERMS

Currency: Our prices are denominated in EUROS.

Photographic Approval: Upon completion, the Seller will provide professional photographic documentation of the piece. Written approval of these photographs by the Buyer constitutes final and binding acceptance of the piece's aesthetic condition.

Balance Due: The remaining 50% balance is due immediately upon photographic approval and must be settled prior to shipment.

Payment Method: We only accept payments by bank transfer.

Late Payment: Any delay in payment shall give rise to interest on arrears at a rate equivalent to 3 times the legal interest rate.

## 4. SHIPPING, VAT, AND CUSTOMS

Incoterms: Unless otherwise specified, all sales are concluded Ex-Works (EXW). Goods travel at the Buyer's risk.

Shipping Costs: Shipping fees will be added to the price based on the destination and the volume of the package.

VAT and Taxes: for deliveries within the European Union (EU), the local VAT rate will be applied. For deliveries outside the EU, VAT will not be applied.

## STUDIO FLAVIEN DELBERGUE

Web : [www.flaviendelbergue.com](http://www.flaviendelbergue.com)  
Mail : [info@flaviendelbergue.com](mailto:info@flaviendelbergue.com) / [studio@flaviendelbergue.com](mailto:studio@flaviendelbergue.com)  
Instagram : [flaviendelbergue](https://www.instagram.com/flaviendelbergue)  
Office : 9 Rue Jacquemont 75017 Paris  
Phone : 00 33 6 50 95 88 01

All pictures © Studio Flavien Delbergue / All rights reserved to © Studio Flavien Delbergue

Customs and Duties: For international sales outside the EU, all customs duties and import taxes are the sole responsibility of the Buyer. Refusal to pay these fees does not constitute grounds for cancellation or refund.

Claims: Any damage must be noted on the carrier's delivery receipt and confirmed via registered mail to the carrier within 48 to 72 hours.

## 5. WARRANTIES AND LIABILITY

Warranties: The Seller provides the legal warranties of conformity and against hidden defects as required by French law.

Limitation of Liability: The Seller's liability is strictly limited to the replacement of parts recognized as non-conforming or a refund of the invoiced price, excluding any further damages.

Claims Process: Any claim for structural damage must be submitted in writing with time-stamped photographs within 3 calendar days of receipt.

## 6. PRODUCTION TIMELINE AND STORAGE

Lead Times: Production timelines (e.g., 16 weeks) are estimates provided in good faith. Delays do not entitle the Buyer to damages or cancellation.

Storage Fees: Complimentary storage is provided for 14 calendar days after notification of availability. Thereafter, a storage fee will apply and must be settled before the release of the goods.

## 7. RETENTION OF TITLE AND INTELLECTUAL PROPERTY

Title: All goods remain the exclusive property of the Seller until full payment of the price has been received.

Intellectual Property: All technical documents, drawings, and designs remain the exclusive property of the Seller. Any unauthorized use is strictly prohibited.

## 8. GOVERNING LAW AND JURISDICTION

Applicable Law: These terms are governed by and construed in accordance with the laws of France.

Dispute Resolution: For professional buyers, the Commercial Court of Paris shall have exclusive jurisdiction.